

# ORDER FOR CUSTOM-MADE PRODUCTS

## GenuTrain® S

BAUERFEIND.COM

143

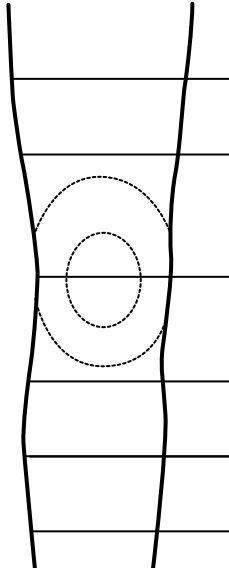
143

Identifier \_\_\_\_\_  
 (e.g. patient name, abbreviation) \_\_\_\_\_

Fax Germany +49 (0) 800 001 05 25  
 Fax Austria +43 (0) 800 44 30 131  
 Fax Switzerland +41 (0) 5 64 85 82 59

Quotation

Order

	Circumference	Length
	f <sup>1</sup>	short: e - f <sup>1</sup> = 18 cm long: e - f <sup>1</sup> = 21 cm
	f	e - f
	e	
	d	e - d
	c	e - c
	b <sup>e</sup>	e - b <sup>e</sup> = 18 cm

**Knee**

Left  Right

Short  
 (length of support, thigh [e - f<sup>1</sup>] = 18 cm)

Long  
 (length of support, thigh [e - f<sup>1</sup>] = 21 cm)

**Extras**

Siliconized edge\* (add 5 cm to the length)

**Patient details\*\***

Male  Female

Obese  Pronounced muscles

Age \_\_\_\_\_ Height \_\_\_\_\_

\* Subject to additional charges – please consider the additional length when measuring patients

\*\* Optional; please specify special anatomical features to ensure an accurate fit of the finished product.

**All measurements must be entered to ensure proper treatment.**

- f<sup>1</sup> Thigh  
 Short version: Measure the circumference 18 cm above the middle of the knee (e).  
 Long version: Measure the circumference 21 cm above the middle of the knee (e).
- f Base of thigh
- e Middle of knee
- d Narrowest point below the knee
- c Calf circumference: Measure the circumference at least 12 cm below the middle of the knee (e).
- b<sup>e</sup> Calf circumference 18 cm below the middle of the knee (e)

**Notes:**

- Custom-made solutions are only available in the color titan.
- Take measurements with a slight flexion (30°).
- The length is measured on the outside of the leg.
- The selection of the short/long version depends on the individual measurements of the patient. The long version is recommended for patients from a height of 1.80 m.
- The following minimum circumference measurements are required for supplying the product:  
 f (14 cm above the knee): at least 38 cm  
 e (middle of knee): at least 32.5 cm  
 c (12 cm below the knee): at least 28 cm



Stamp

Customer no. \_\_\_\_\_

Signature \_\_\_\_\_

Date \_\_\_\_\_